

120400

Illustrated Parts List

Model Series

120400

TYPE NUMBERS
0023 through 0242.

For Use On Engines Built Before Date Code – 03010100

TABLE OF CONTENTS

Air Cleaner	8
Blower Housing/Shrouds	9
Cams	3
Carburetor	5
Controls	6
Crankcase Cover/Sump	2
Crankshaft	3
Cylinder	2
Electric Starter	10
Flywheel	9
Fuel Tank	6
Gear Reducer	10
Governor Spring	7
Head	4
Ignition	7
Kits/Gaskets – Carburetor	5
Kits/Gaskets – Engine	2
Kits/Gaskets – Valve	4
Muffler	8
Oil	10
Piston Group	3
Rewind	9
Valves	4

PRINTED IN U.S.A.



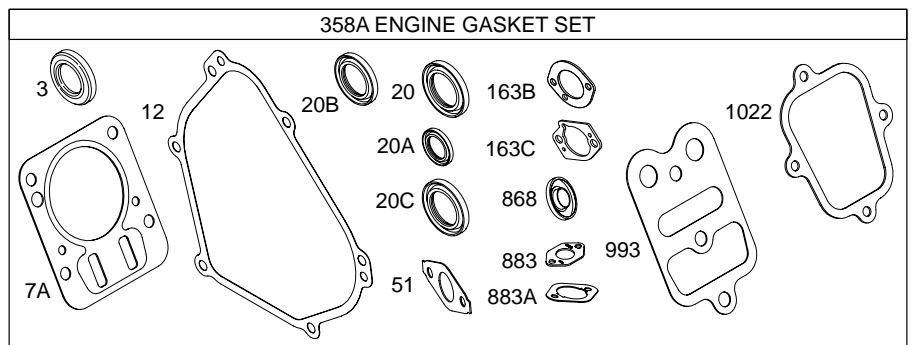
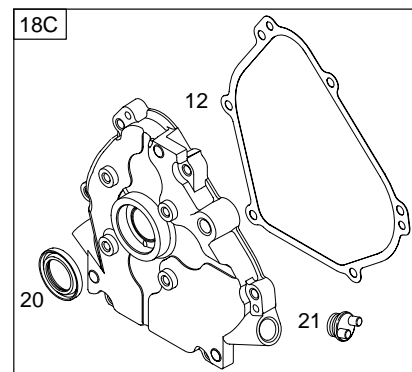
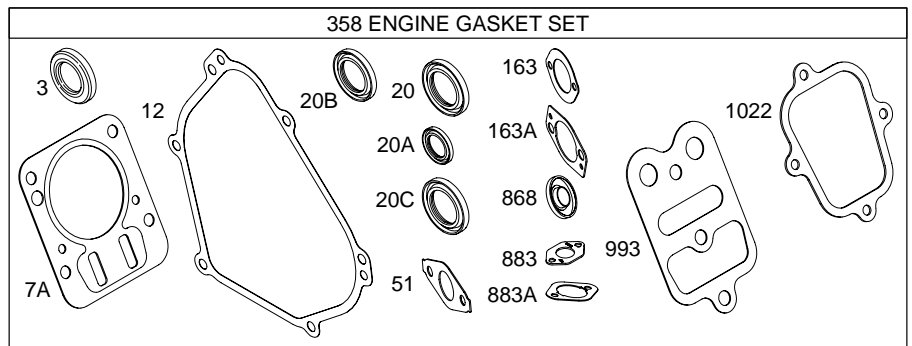
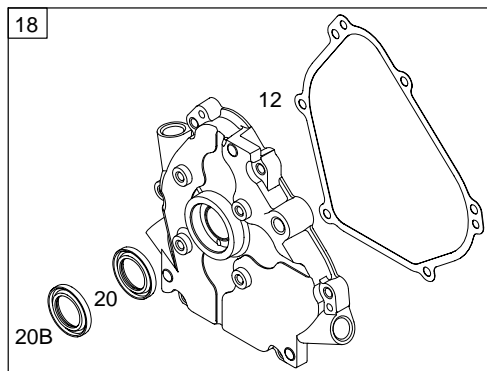
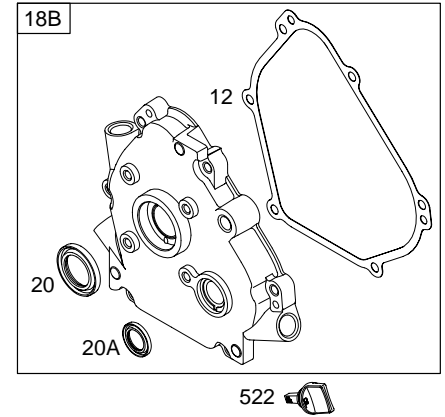
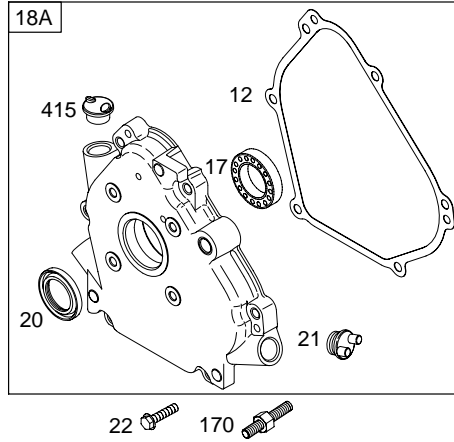
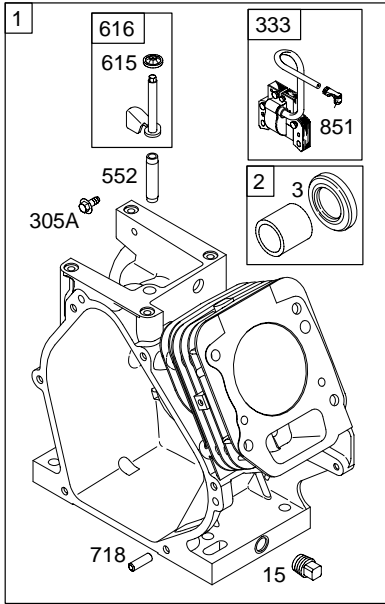
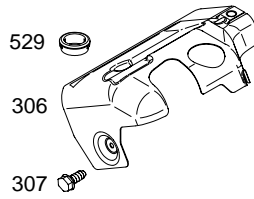
COPYRIGHT by BRIGGS & STRATTON CORPORATION
All rights reserved. No part of this material may be reproduced or transmitted, in any form or by any means, electronic or mechanical, including photocopying, recording or by any information storage and retrieval system, without permission in writing from Briggs & Stratton Corporation.

120400

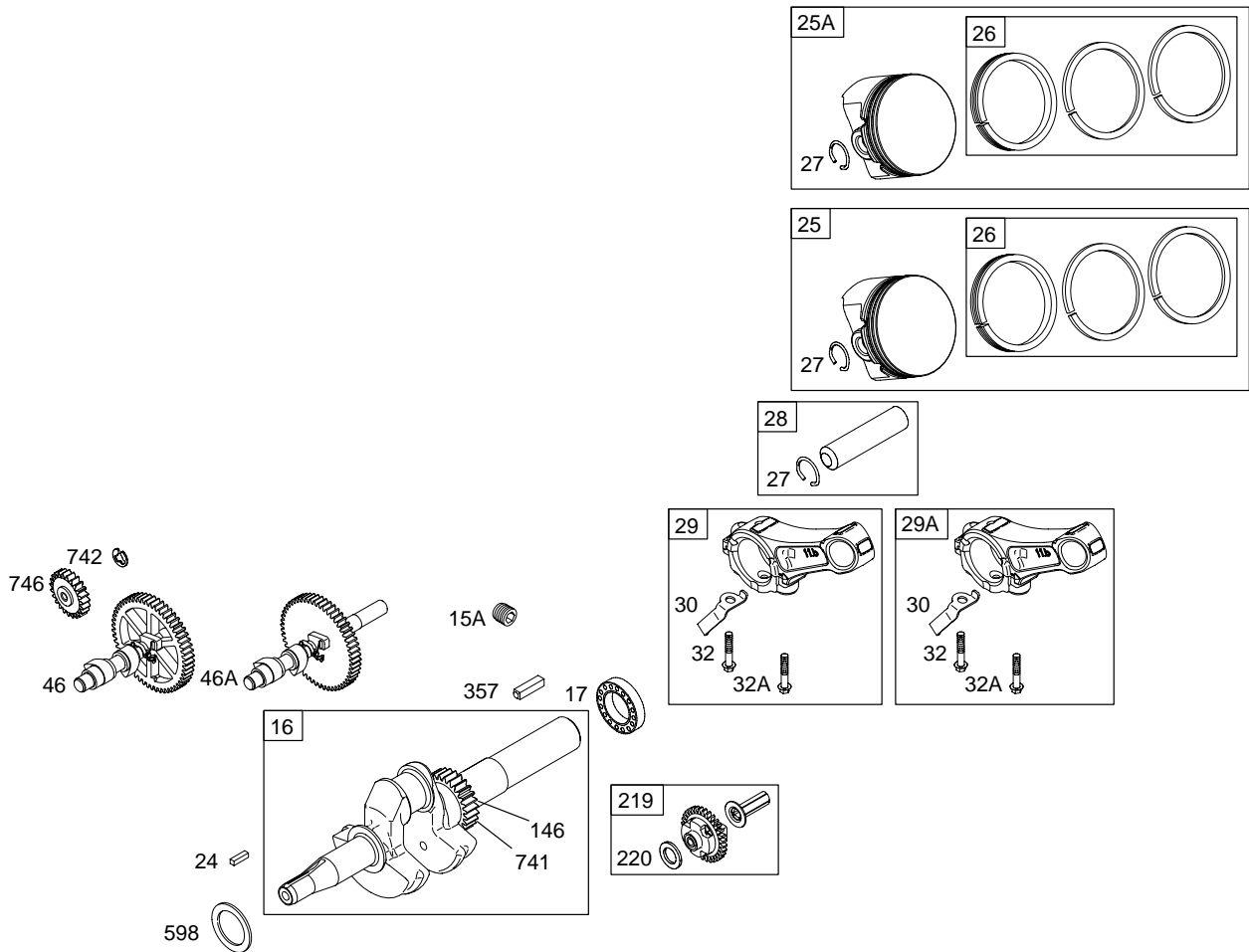
1019 LABEL KIT

1019A LABEL KIT

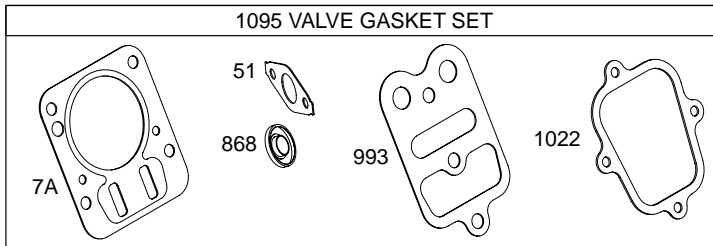
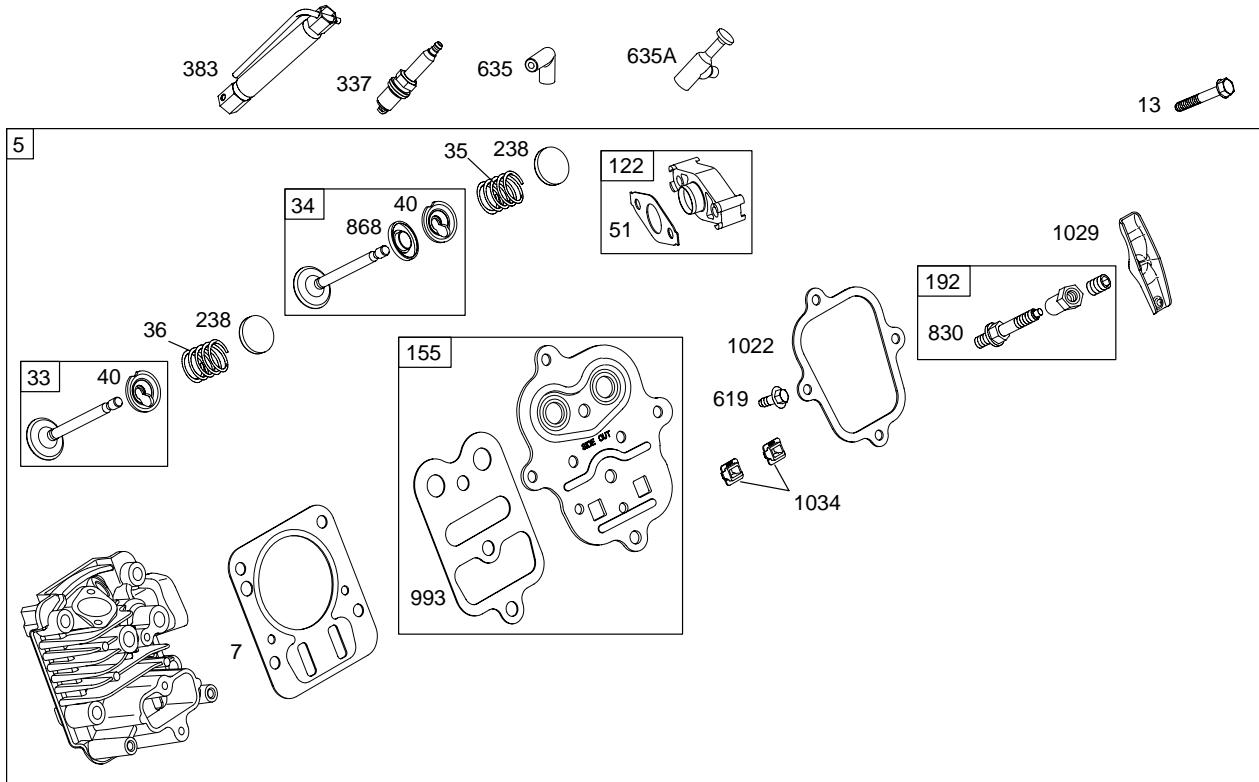
1058 OWNER'S MANUAL



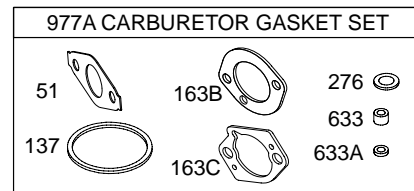
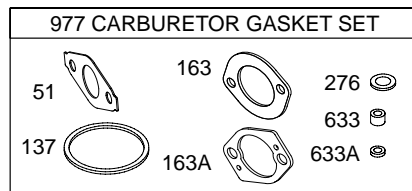
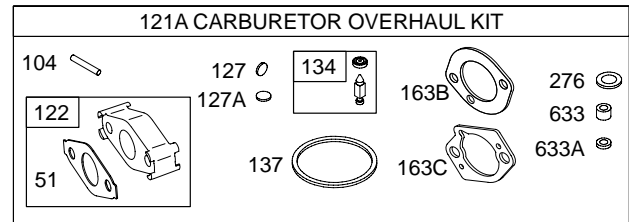
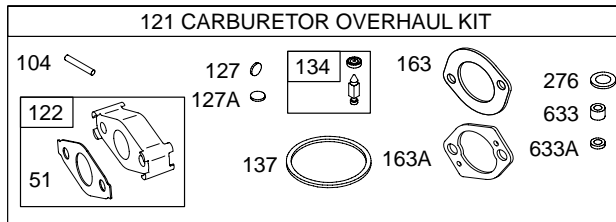
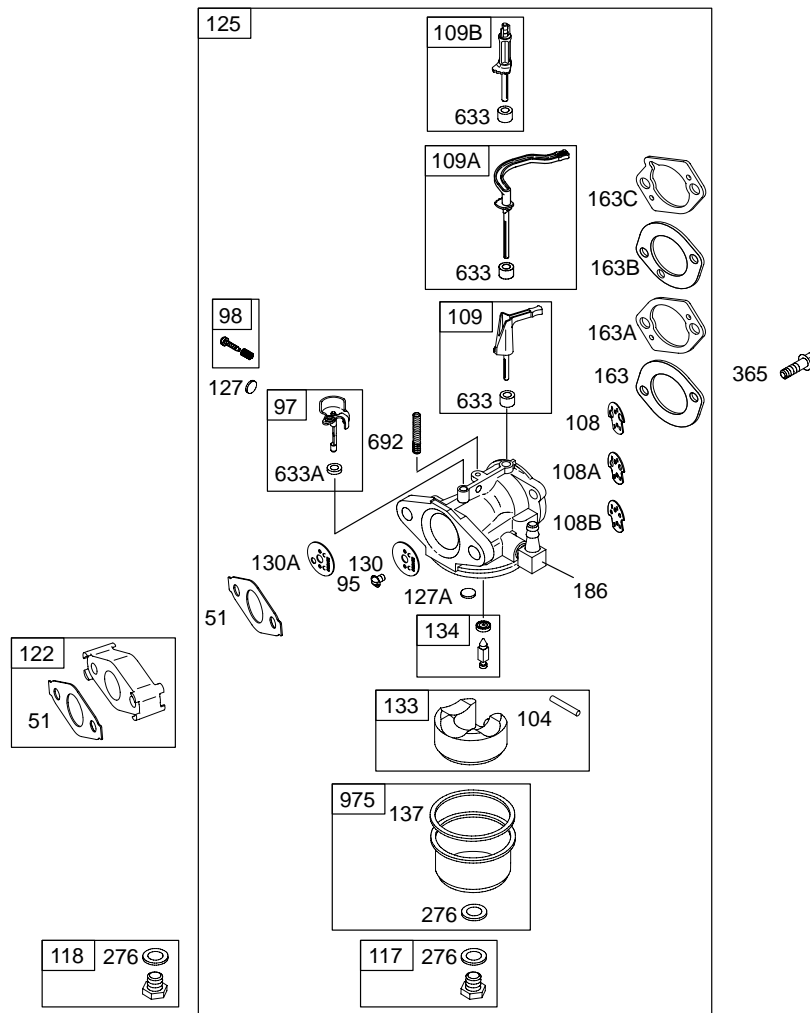
Illustrations cover a range of engines. Parts shown without corresponding text may not be used on your specific engine.
 6217-2 Assemblies include all parts shown in frames. 7C-1/2003



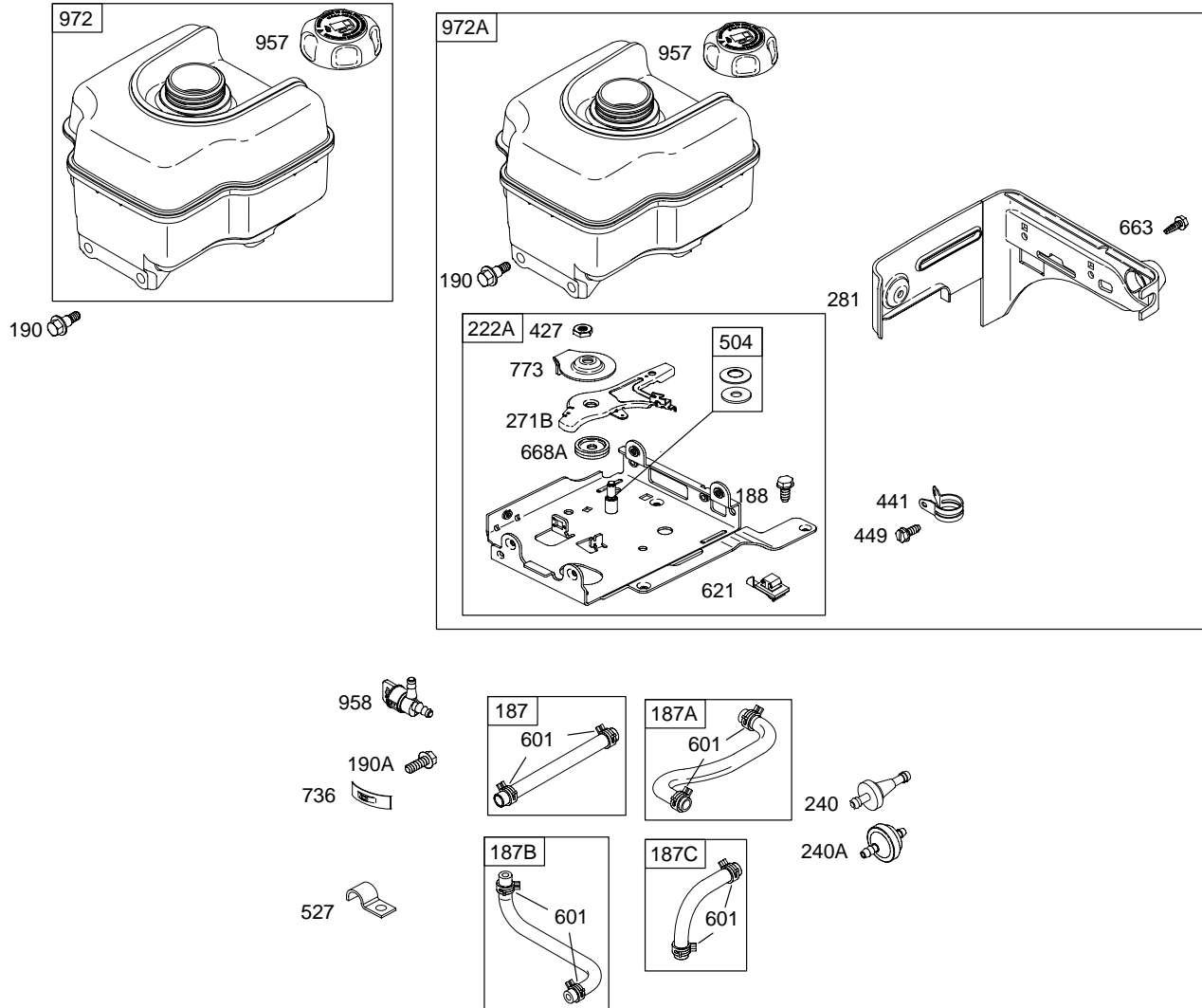
Illustrations cover a range of engines. Parts shown without corresponding text may not be used on your specific engine.
 6217-3 Assemblies include all parts shown in frames. 7C-1/2003



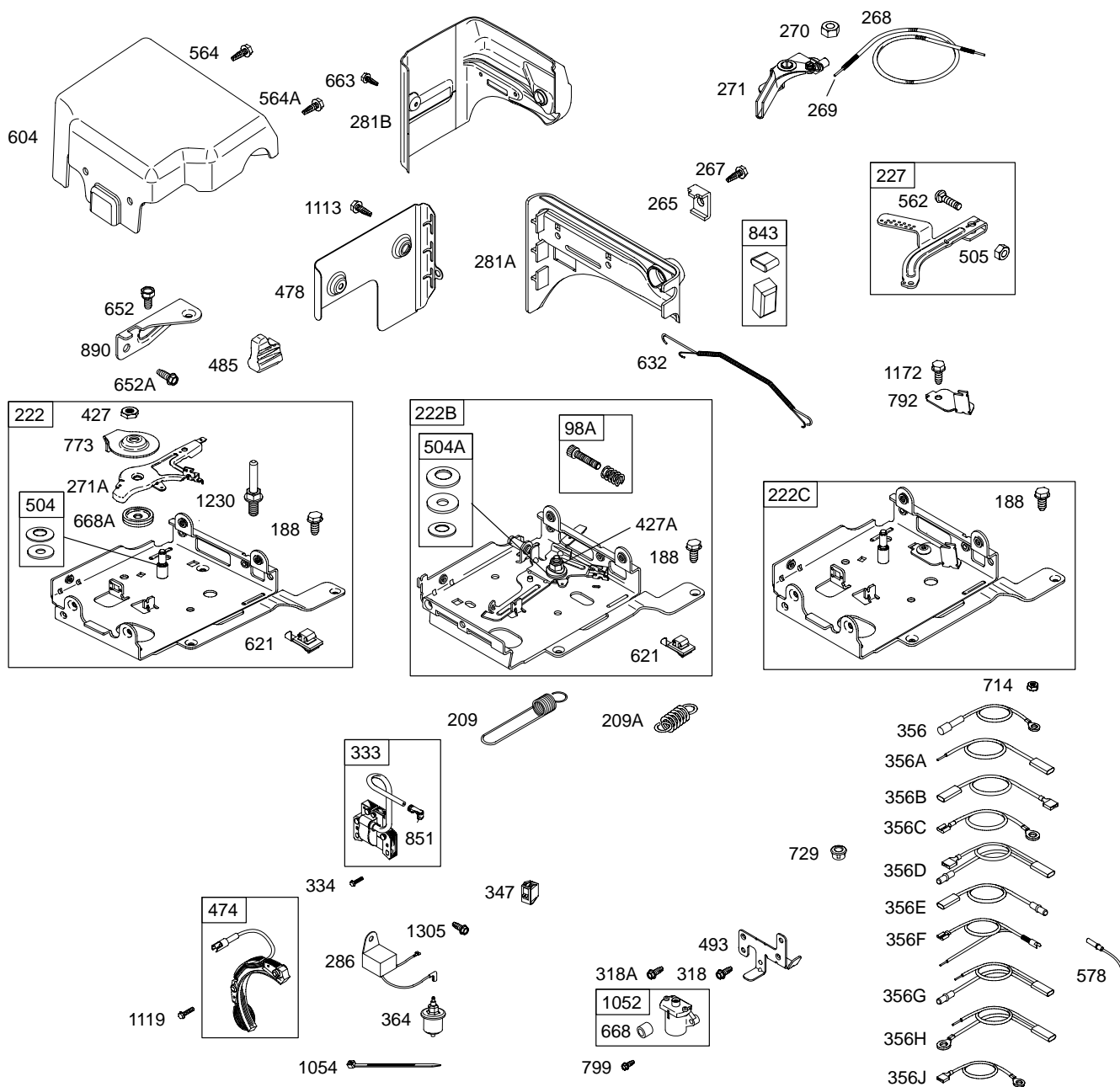
**NOTE: This Illustration Represents A Number Of Different Carburetors.
Parts Shown May Not Be Included In All Kits**



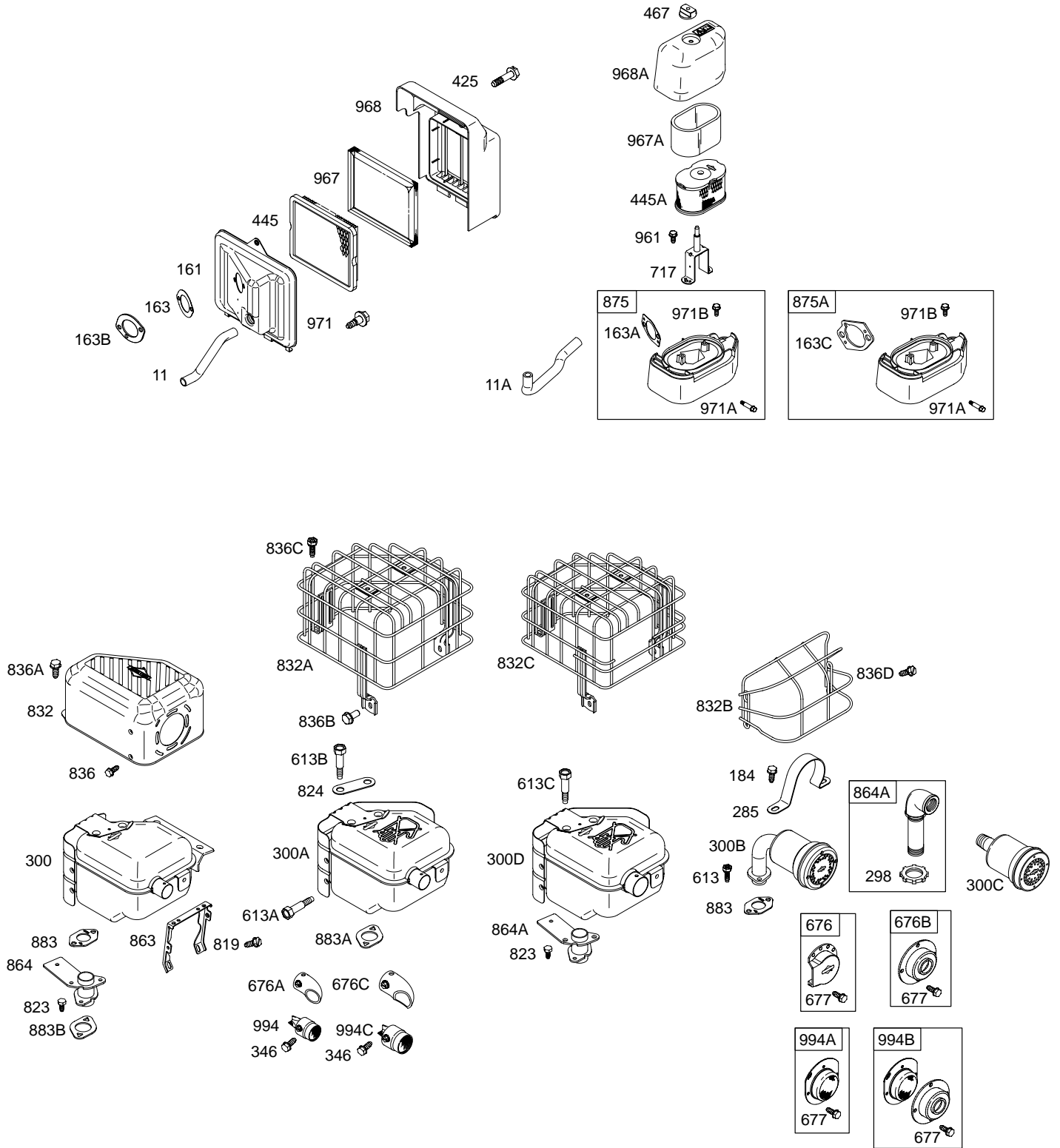
Illustrations cover a range of engines. Parts shown without corresponding text may not be used on your specific engine.
6217-5 Assemblies include all parts shown in frames. 7C-1/2003



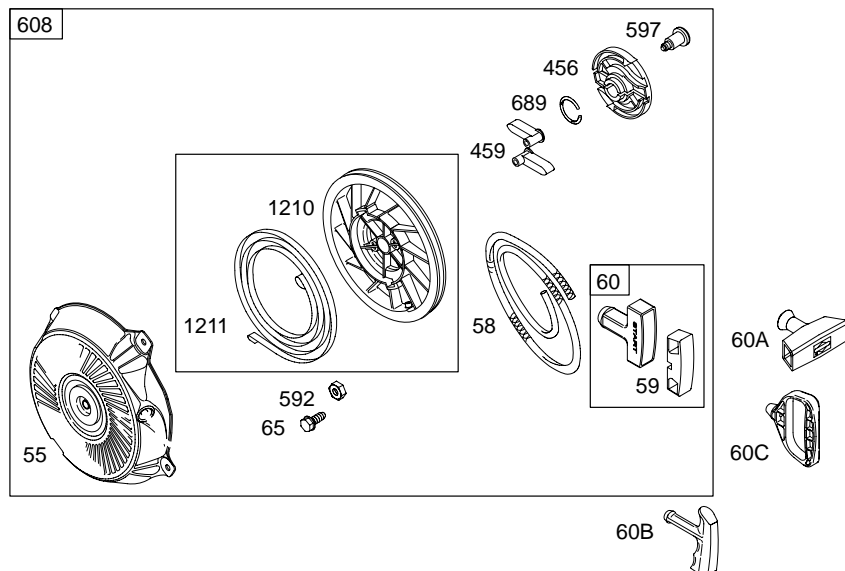
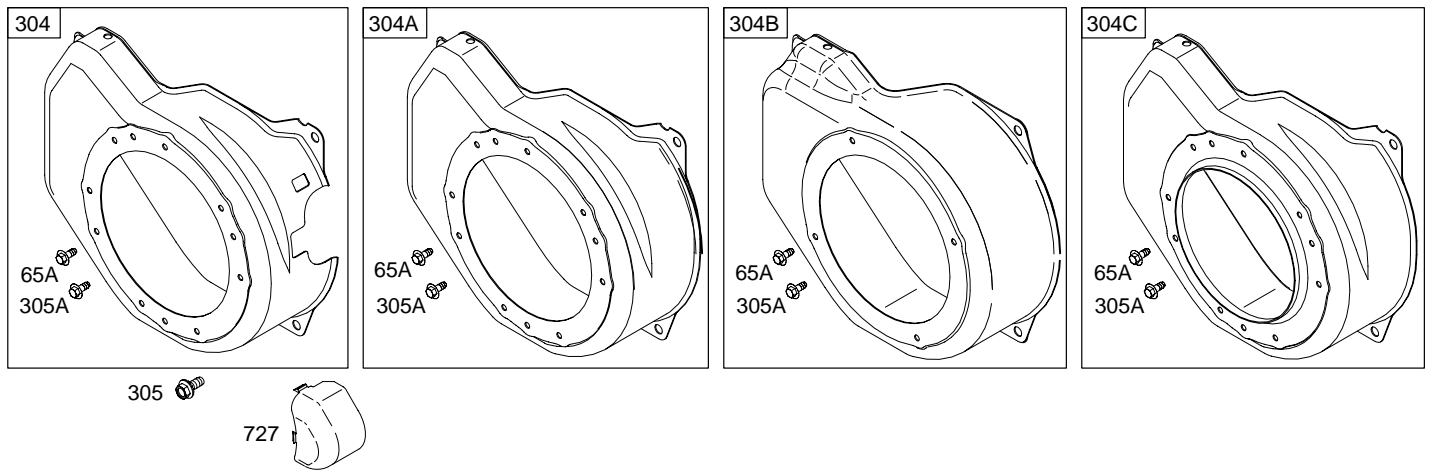
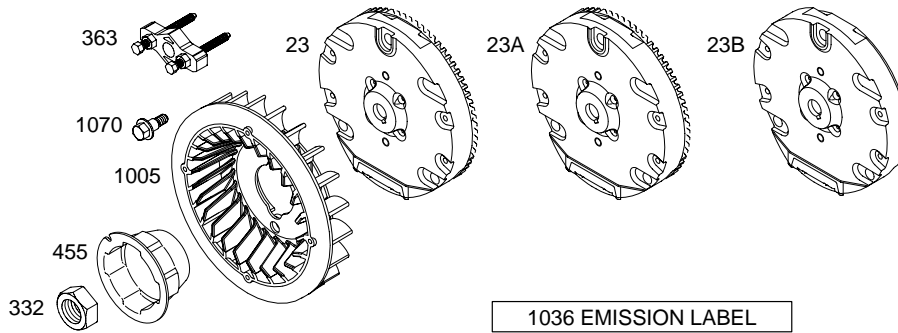
Illustrations cover a range of engines. Parts shown without corresponding text may not be used on your specific engine.
6217-6 Assemblies include all parts shown in frames. 7C-1/2003



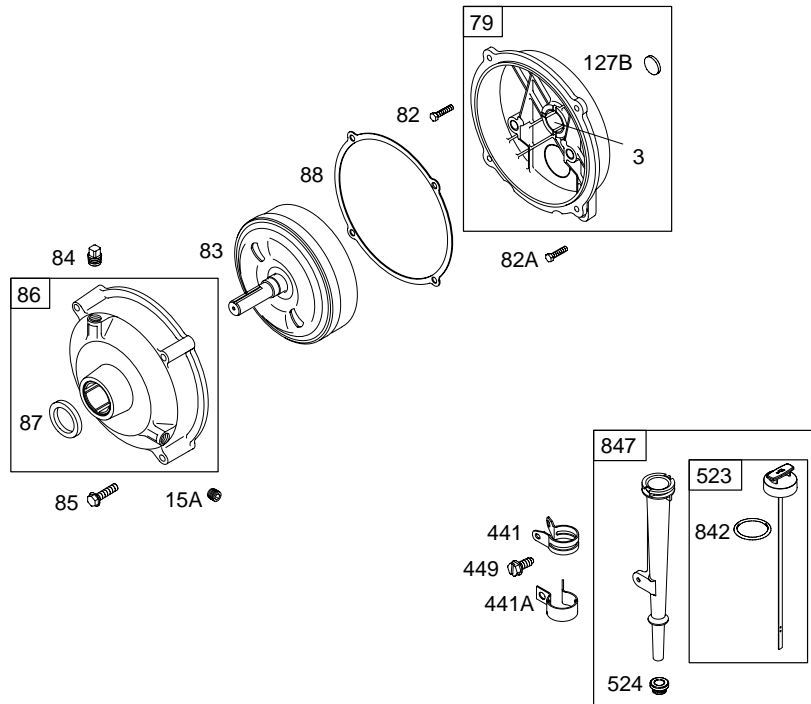
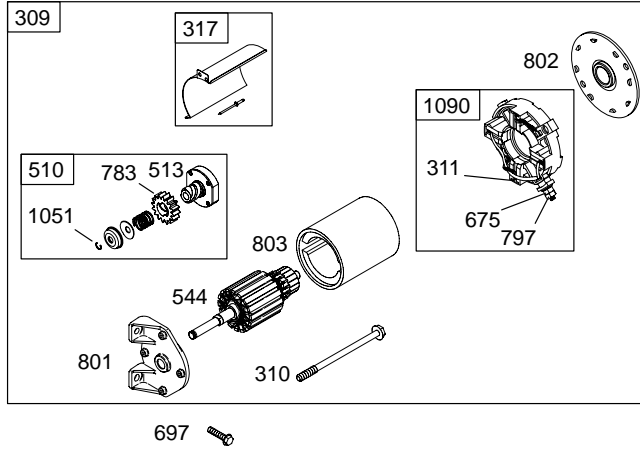
Illustrations cover a range of engines. Parts shown without corresponding text may not be used on your specific engine.
 6217-7 Assemblies include all parts shown in frames. 7C-1/2003



Illustrations cover a range of engines. Parts shown without corresponding text may not be used on your specific engine.
6217-8 Assemblies include all parts shown in frames. **7C-1/2003**



Illustrations cover a range of engines. Parts shown without corresponding text may not be used on your specific engine.
 6217-9 Assemblies include all parts shown in frames. 7C-1/2003



Illustrations cover a range of engines. Parts shown without corresponding text may not be used on your specific engine.
6217-10 Assemblies include all parts shown in frames. **7C-1/2003**

REF. NO.	PART NO.	DESCRIPTION	REF. NO.	PART NO.	DESCRIPTION	REF. NO.	PART NO.	DESCRIPTION
1	693811	Cylinder Assembly (Used Before Code Date 02011500). ———— Note ——— 698223 Cylinder Assembly (Used Before Code Date 02101700 and After Code Date 02011400). 698485 Cylinder Assembly (Used After Code Date 02101600). 694470 Cylinder Assembly Used on Type No(s). 0121, 0130.			695763 Crankshaft Used on Type No(s). 0124. 693595 Crankshaft Used on Type No(s). 0242.	25A	690021	Piston Assembly (Standard) ———— Note ——— 694167 Piston Assembly (.010" Oversize) 694168 Piston Assembly (.020" Oversize) 694169 Piston Assembly (.030" Oversize)
			17	692517	Bearing—Ball			
			18	693204	Cover—Crankcase ———— Note ——— 694466 Cover—Crankcase Used on Type No(s). 0109, 0213.	26	499631	Ring Set (Standard) ———— Note ——— 692785 Ring Set (.010" Oversize) 692786 Ring Set (.020" Oversize) 692787 Ring Set (.030" Oversize)
			18A	693605	Cover—Crankcase Used on Type No(s). 0036.			
			18B	694833	Cover—Crankcase Used on Type No(s). 0119, 0127.			
			18C	695290	Cover—Crankcase (Used After Code Date 11080200. Used on Type No(s). 0137.	27	691866	Lock—Piston Pin
2	399269	Kit—Bushing/Seal (Magneto Side)				28	499423	Pin—Piston
3	*299819	Seal—Oil (Magneto Side)				29	690124	Rod—Connecting
5	693643	Head—Cylinder				30	692562	Dipper—Connecting Rod
7	698210	Gasket—Cylinder Head				32	691664	Screw (Connecting Rod)
11	692600	Tube—Breather (Flat Panel Air Cleaner)	20	*692550	Seal—Oil (PTO Side)	32A	695759	Screw (Connecting Rod) (Used After Code Date 00042200).
11A	693647	Tube—Breather (High Mount Air Cleaner)	20A	*691952	Seal—Oil (PTO Side) (Auxiliary PTO)	33	499642	Valve—Exhaust
			20B	*694171	Seal—Oil (PTO Side)	34	499641	Valve—Intake
12	*692549	Gasket—Crankcase				35	691304	Spring—Valve (Intake)
13	691137	Screw (Cylinder Head)				36	691304	Spring—Valve (Exhaust)
15	691686	Plug—Oil Drain (Square Head)	21	281658	Cap—Oil Fill			
15A	691682	Plug—Oil Drain (Flush)	22	692551	Screw (Crankcase Cover/Sump)			
16	693887	Crankshaft ———— Note ——— 693403 Crankshaft Used on Type No(s). 0036, 0131. 695237 Crankshaft Used on Type No(s). 0120, 0145.	23	694902	Flywheel Used on Type No(s). 0121.			
			23A	695298	Flywheel Used on Type No(s). 0130.			
			23B	692987	Flywheel			
			24	222698	Key—Flywheel			

★ Included in Engine Gasket Set—Ref. No.358.

● Included in Carburetor Overhaul Kit—Ref. No. 121.

◆ Included in Carburetor Gasket Set—Ref. No. 977.

⊘ Included in Valve Gasket Set—Ref. No 1095.

Illustrations cover a range of engines. Parts shown without corresponding text may not be used on your specific engine.

120400

REF. NO.	PART NO.	DESCRIPTION	REF. NO.	PART NO.	DESCRIPTION	REF. NO.	PART NO.	DESCRIPTION
40	692194	Retainer-Valve	109	690023	Shaft-Choke (Straight Handle)			694176 Jet-Main (High Altitude)
45	690977	Tappet-Valve						(Used After Code Date 02103100).
46	693404	Camshaft	109A	693628	Shaft-Choke Used on Type No(s). 0109, 0119, 0124, 0213.			Used on Type No(s). 0109, 0119, 0124, 0213.
46A	694831	Camshaft						694975 Jet-Main (High Altitude)
		Note _____						Used on Type No(s). 0120, 0133, 0135, 0137, 0138.
		695285 Camshaft Used on Type No(s). 0127.	117	694176	Jet-Main (Standard) (Used Before Code Date 02100800).			695042 Jet-Main (High Altitude)
51	692555	Gasket-Intake (2 Required)						Used on Type No(s). 0145.
55	691422	Housing-Rewind Starter			Note _____			
58	693389	Rope-Starter (Cut to Required Length)			690048 Jet-Main (Standard) (Used After Code Date 02100700).			
59	805957	Insert-Grip			690048 Jet-Main (Standard) (Used Before Code Date 02110100).	121	695157	Kit-Carburetor Overhaul
60	715257	Grip-Starter Rope (2 Piece)			Used on Type No(s). 0109, 0119, 0124, 0213.	121A	696998	Kit-Carburetor Overhaul (High Vent)
60C	695740	Grip-Starter-Rope Used on Type No(s). 0139.			698344 Jet-Main (Standard) (Used After Code Date 02103100).	122	693749	Spacer-Carburetor
65	690837	Screw (Rewind Starter)			Used on Type No(s). 0109, 0119, 0124, 0213.	125	694174	Carburetor (Used Before Code Date 02100800).
65A	692608	Screw (Rewind Starter)			498976 Jet-Main (Standard) Used on Type No(s). 0120, 0133, 0135, 0137, 0138.			Note _____
79	694511	Case-Gear Reduction			691428 Jet-Main (Standard) Used on Type No(s). 0145.			698474 Carburetor (High Vent)
82	690369	Screw (Gear Reduction Case)			498976 Jet-Main (Standard) Used on Type No(s). 0109, 0119, 0124, 0213.			(Used After Code Date 02100700).
82A	691122	Screw (Gear Reduction Case)	118	690048	Jet-Main (High Altitude) (Used Before Code Date 02100800).			693518 Carburetor (Used Before Code Date 02110100).
83	690374	Shaft-Auxiliary Drive			Note _____			Used on Type No(s). 0109, 0119, 0124, 0213.
84	691121	Plug-Breather			498976 Jet-Main (High Altitude) (Used After Code Date 02100700).			694508 Carburetor Used on Type No(s). 0120, 0133, 0135, 0137, 0138.
85	692551	Screw (Gear Cover to Gear Reduction Case)			498977 Jet-Main (High Altitude) (Used Before Code Date 02110100)	127	691739	Plug-Welch (5/16" Diameter)
86	690608	Cover-Gear			Used on Type No(s). 0109, 0119, 0124, 0213.	127A	694468	Plug-Welch (3/8" Diameter)
87	691582	Seal-Gear Reduction				127B	691585	Plug-Welch
88	691600	Gasket-Gear Reduction Cover						
95	691636	Screw (Throttle Valve)						
97	690024	Shaft-Throttle						
98	398185	Kit-Idle Speed (Carburetor)						
98A	493280	Kit-Idle Speed (Control Bracket)						
104	691242	Pin-Float Hinge						
108A	691182	Valve-Choke (.223" Diameter Holes, Stamped 223471)						
108B	692567	Valve-Choke (.156" Diameter Holes, Stamped 224449)						

★ Included in Engine Gasket Set-Ref. No.358.

● Included in Carburetor Overhaul Kit-Ref. No. 121.

◆ Included in Carburetor Gasket Set-Ref. No. 977.

⊘ Included in Valve Gasket Set-Ref. No 1095.

Illustrations cover a range of engines. Parts shown without corresponding text may not be used on your specific engine.

6217-12

Assemblies include all parts shown in frames.

7C-1/2003

REF. NO.	PART NO.	DESCRIPTION	REF. NO.	PART NO.	DESCRIPTION	REF. NO.	PART NO.	DESCRIPTION
130	691181	Valve-Throttle	184	691685	Screw (Muffler Strap)	222B	694263	Bracket-Control (Used Before Code Date 99070500).
130A	691203	Valve-Throttle Used on Type No(s). 0120, 0133, 0135, 0137, 0138.	186	692317	Connector-Hose			
133	398187	Float-Carburetor	187	691050	Line-Fuel (Straight) (Cut to Required Length)			Used on Type No(s). 0036, 0101, 0111, 0113.
134	●398188	Kit-Needle/Seat	187A	692601	Line-Fuel (Molded)	222C	696288	Bracket-Control Used on Type No(s). 0124.
137	●693981	Gasket-Float Bowl	187B	693401	Line-Fuel (Molded)	227	692573	Lever-Governor Control
146	690979	Key-Timing	188	690877	Screw (Control Bracket)	238	691300	Cap-Valve
155	698214	Plate-Cylinder Head	190	692127	Screw (Fuel Tank)	240A	298090	Filter-Fuel
161	692579	Base-Air Cleaner (Flat Panel Air Cleaner) (Used Before Code Date 02100800).	190A	690877	Screw (Fuel Tank) (Used Before Code Date 99070500).	265	691024	Clamp-Casing
		Note				267	692577	Screw (Casing Clamp)
		696063 Base-Air Cleaner (Flat Panel Air Cleaner) (Used After Code Date 02100700).			Note	268	691025	Casing-Control Wire (72" Long) (Cut to Required Length)
						269	691026	Wire-Control (78" Long) (Cut to Required Length)
163	★272948	Gasket-Air Cleaner (Flat Panel) (Used Before Code Date 02100800).			693206 Spring-Governor (Yellow) Used on Type No(s). 0023, 0119, 0120, 0121, 0124, 0135, 0147.	270	691027	Nut (Control Wire Casing)
163A	★693458	Gasket-Air Cleaner (High Mount) (Used Before Code Date 02110100). Used on Type No(s). 0109, 0119, 0124, 0213.			691798 Spring-Governor (Brown) Used on Type No(s). 0036, 0101, 0105, 0111, 0113, 0115, 0116, 0117, 0118, 0119, 0121, 0124.	271	691028	Lever-Control
163B	696024	Gasket-Air Cleaner (Flat Panel Air Cleaner) (Used After Code Date 02100700).	209A	691278	Spring-Governor	271A	695743	Lever-Control
163C	696979	Gasket-Air Cleaner (High Mount) (Used After Code Date 02103100). Used on Type No(s). 0109, 0119, 0124, 0213.	219	693578	Gear-Governor	271B	694256	Lever-Control
			220	691724	Washer (Governor Gear)	276	●271716	Washer-Sealing
			222	695742	Bracket-Control	281	694252	Panel-Control (Used After Code Date 99070400).
			222A	694253	Bracket-Control	281A	693407	Panel-Control (Used Before Code Date 99070500).
						285	692595	Strap-Muffler
						286	698611	Module-Oil Sensor (Used After Code Date 03010500).
								Note
								698317 Module-Oil Sensor (Used Before Code Date 03010600).

★ Included in Engine Gasket Set-Ref. No.358.

● Included in Carburetor Overhaul Kit-Ref. No. 121.

◆ Included in Carburetor Gasket Set-Ref. No. 977.

⊘ Included in Valve Gasket Set-Ref. No 1095.

Illustrations cover a range of engines. Parts shown without corresponding text may not be used on your specific engine.

120400

REF. NO.	PART NO.	DESCRIPTION	REF. NO.	PART NO.	DESCRIPTION	REF. NO.	PART NO.	DESCRIPTION
300	695735	Muffler (Lo Tone)	317	695494	Cover–Starter	356C	695630	Stop Wire (1 Wire, 6–1/2" Long)
300A	694429	Muffler (Super Lo Tone)	318	693609	Screw (Mounting Bracket)			(Push–On Female Blade Terminal, And Ring Terminal)
300B	693593	Muffler (Lo Tone)	318A	690370	Screw (Mounting Bracket)			
304	697910	Housing–Blower (Electric Start) (Black) (Used After Code Date 02021400). Used on Type No(s). 0121, 0130.	332	690662	Nut (Flywheel)	358	695155	Gasket Set–Engine
		Note _____ 694378 Housing– Blower (Electric Start) (Black) (Used Before Code Date 02021500). Used on Type No(s). 0121, 0130.	333	695711	Armature–Magneto	358A	697000	Gasket Set–Engine (High Vent)
			334	691061	Screw (Magneto Armature)	363	19069	Flywheel Puller
			337	491055	Plug–Spark _____ Note _____ 691043 Plug–Spark Used on Type No(s). 0124, 0128, 0130.	364	695693	Terminal–Oil Plug
						365	692568	Screw (Carburetor)
			347	696213	Switch–Rocker (3 Tines, No ON/OFF Marking, 3 Position, Non–Lighted) _____ Note _____ 692599 Switch–Rocker (2 Tines, ON/OFF Marking, 2 Position, Non–Lighted)	383	19374	Wrench–Spark Plug
304A	697909	Housing–Blower (Rewind Start) (Black) (Used After Code Date 02021400). _____ Note _____ 693621 Housing– Blower (Rewind Start) (Black) (Used Before Code Date 02021500).				415	693463	Plug (Crankcase Cover/ Sump)
						425	692583	Screw (Air Cleaner Cover)
						427	694255	Nut (Control Bracket) (Used After Code Date 99070400).
			356	693650	Wire–Stop (1 Wire, 6–1/4" Long) (Ring Terminal, And Push–On Insulated Pin Socket)	427A	692575	Nut (Control Bracket) (Used Before Code Date 99070500).
			356A	692390	Stop Wire (1 Wire, 17" Long) (Snap Connect Insulated Female Blade Terminal, And Bare Wire End)	441	694262	Bracket–Oil Fill
						445	491588	Filter–Air Cleaner Cartridge (Flat Panel)
305	690960	Screw (Blower Housing)				445A	697029	Filter–Air Cleaner Cartridge (High Mount)
305A	691140	Screw (Blower Housing)	356B	692602	Stop Wire (1 Wire, 14" Long) (Snap Connect Insulated Female Blade Terminal, And Insulated Push–On Female Blade Terminal)	449	691693	Screw (Oil Fill Bracket)
306	693610	Shield–Cylinder				455	692591	Cup–Flywheel
307	690345	Screw (Cylinder Shield)				456	692299	Plate–Pawl Friction
309	694504	Motor–Starter				459	281505	Pawl–Ratchet
310	690323	Bolt (Starter Motor)				467	691668	Knob–Air Cleaner
311	497608	Brush Set				474	694457	Alternator
						478	693709	Panel (Used Before Code Date 99070500).
						485	695755	Knob–Control
						493	693599	Bracket–Mounting

★ Included in Engine Gasket Set–Ref. No.358.

● Included in Carburetor Overhaul Kit–Ref. No. 121.

◆ Included in Carburetor Gasket Set–Ref. No. 977.

⊘ Included in Valve Gasket Set–Ref. No 1095.

Illustrations cover a range of engines. Parts shown without corresponding text may not be used on your specific engine.

REF. NO.	PART NO.	DESCRIPTION	REF. NO.	PART NO.	DESCRIPTION	REF. NO.	PART NO.	DESCRIPTION
504	694254	Washer Set-Friction (Used After Code Date 99070400).	619	691108	Screw (Cylinder Head Plate)		695087	Gear-Timing Used on Type No(s). 0124, 0135.
504A	495659	Washer Set-Friction (Used Before Code Date 99070500).	621	692310	Switch-Stop	742	692564	Retainer-E Ring (Idler Gear)
505	691251	Nut (Governor Control Lever)	632	693408	Spring/Link-Mechanical Governor	746	692566	Gear-Idler
510	499308	Drive-Starter	633	◆693867	Seal-Choke/Throttle Shaft	773	694258	Retainer (Control Bracket)
513	692024	Clutch-Drive	633A	◆691321	Seal-Choke/Throttle Shaft	783	692353	Gear-Pinion
522	697689	Plug-Dipstick/Fill	635	692076	Boot-Spark Plug	792	694259	Bracket-Fixed Speed (Used After Code Date 99070400).
523	693618	Dipstick	635A	692927	Boot-Spark Plug	797	691029	Nut (Brush Retainer)
524	281370	Seal-Dipstick Tube	652	691108	Screw (Support Bracket)	799	693609	Screw (Oil Sensor)
527	690394	Clamp-Tube	652A	695629	Screw (Support Bracket)	801	694482	Cap-Drive
544	692966	Armature-Starter	663	694593	Screw (Control Panel)	802	691286	Cap-End
552	692346	Bushing-Governor Crank	668	693604	Spacer (Oil Sensor)	803	693757	Housing-Starter
562	94852	Bolt (Governor Control Lever)	668A	694257	Spacer (Control Bracket)	819	691685	Screw (Muffler Bracket)
564	692577	Screw (Control Cover)	675	691261	Washer (Brush Retainer)	823	691665	Screw (Muffler Adapter)
564A	692198	Screw (Control Cover)	676	393757	Deflector-Muffler (Side Out)	824	696017	Shield-Heat
592	690800	Nut (Rewind Starter)	676B	395700	Deflector-Muffler (Direct Out)	830	694544	Stud (Rocker Arm)
597	691696	Screw (Pawl Friction Plate)	677	690661	Screw (Muffler Deflector)	832	693583	Guard-Muffler (Lo Tone)
598	220624	Shim-Endplay	689	691855	Spring-Friction (Rewind Starter)	832A	694459	Guard-Muffler (Super Lo Tone)
601	95162	Clamp-Hose	692	690572	Spring-Detent	832C	697818	Guard-Muffler
604	696078	Cover-Control ————— Note ————— 697326 Cover-Control 0124, 0135, 0145.	697	690372	Screw (Drive Cap) (Starter Motor)	836	690661	Screw (Muffler Guard)
608	693394	Starter-Rewind ————— Note ————— 697549 Starter-Re- wind Used on Type No(s). 0139.	714	693649	Nut (Stop Wire)	836A	693624	Screw (Muffler Guard)
613	691665	Screw (Muffler)	717	693462	Bracket-Air Cleaner	836B	691003	Screw (Muffler Guard) (Super Lo Tone)
613A	694460	Screw (Muffler)	718	690959	Pin-Locating	836C	691665	Screw (Muffler Guard) (Super Lo Tone)
613B	691108	Screw (Muffler)	727	694467	Cover-Starter Drive Used on Type No(s). 0121, 0130.	842	691031	Seal-O Ring (Dipstick Tube)
615	692576	Retainer-Governor Shaft	729	694371	Clip-Wire	843	694061	Sleeve-Lever
616	692547	Crank-Governor	736	693560	Nut-Clip (Fuel Tank) (Used Before Code Date 99070500).	847	693617	Dipstick/Tube Assembly
			741	692565	Gear-Timing ————— Note —————	851	493880	Terminal-Spark Plug
						863	692596	Bracket-Muffler
						864	694430	Adapter-Muffler
						868	★Ø692044	Seal-Valve

★ Included in Engine Gasket Set-Ref. No.358.

● Included in Carburetor Overhaul Kit-Ref. No. 121.

◆ Included in Carburetor Gasket Set-Ref. No. 977.

Ø Included in Valve Gasket Set-Ref. No 1095.

Illustrations cover a range of engines. Parts shown without corresponding text may not be used on your specific engine.

120400

REF. NO.	PART NO.	DESCRIPTION	REF. NO.	PART NO.	DESCRIPTION	REF. NO.	PART NO.	DESCRIPTION
875	693459	Base–Air Cleaner (Plastic High Mount) (Used Before Code Date 02110100). Used on Type No(s). 0109, 0119, 0124, 0213.	967	493537	Filter–Pre Cleaner (Flat Panel)			————— Note ————— 690035 Kit–Label (Used Before Code Date 97082800).
875A	697030	Base–Air Cleaner (Plastic High Mount) (Used After Code Date 02103100). Used on Type No(s). 0109, 0119, 0124, 0213.	967A	273356	Filter–Pre Cleaner (High Mount)	1022	★∅691890	Gasket–Rocker Cover
883	691893	Gasket–Exhaust (Adapter to Cylinder)	968	692584	Cover–Air Cleaner (Flat Panel Air Cleaner)	1023	499924	Cover–Rocker Arm
883A	692237	Gasket–Exhaust			————— Note ————— 698811 Cover–Air Cleaner (Flat Panel Air Cleaner) (Used on Type No(s). 0145.	1026	693517	Rod–Push
890	694933	Bracket–Support	968A	693460	Cover–Air Cleaner (High Mount Air Cleaner)	1029	691230	Arm–Rocker
914	692198	Screw (Rocker Cover)	971	690370	Screw (Air Cleaner Base)	1034	691343	Guide–Push Rod
914A	692557	Screw (Rocker Cover)	971A	690349	Screw (Air Cleaner Base)	1036	697004	Label–Emission (Used After Code Date 01100800).
957	694261	Cap–Fuel Tank (Used After Code Date 99070400).	971B	691693	Screw (Air Cleaner Base)			————— Note ————— 696766 Label–Emission (Used Before Code Date 01100700).
		————— Note ————— 493988 Cap–Fuel Tank (Used Before Code Date 99070500).	972	694260	Tank–Fuel (Used After Code Date 99070400).	1051	691265	Ring–Retaining (Starter Drive)
958	692586	Valve–Fuel Shut Off	972A	694263	Tank–Fuel (Used Before Code Date 99070500).	1052	698674	Sensor–Oil
961	693598	Screw (Air Cleaner Bracket) (Used Before Code Date 02080500)	975	493640	Bowl–Float	1054	280275	Tie–Cable
		————— Note ————— 698304 Screw (Air Cleaner Bracket) (Used After Code Date 02080400).	977	695156	Gasket Set–Carburetor	1058	275092	Owner's Manual (Emission Engines)
			977A	697001	Gasket Set–Carburetor (High Vent)	1070	692590	Screw (Flywheel Fan)
			993	★∅694088	Gasket–Cylinder Head Plate	1090	691293	Retainer–Brush
			994C	697817	Arrester–Spark (Used After Code Date 02031800). Used on Type No(s). 0135.	1095	695289	Gasket Set–Valve
			1005	692592	Fan–Flywheel	1113	692577	Screw (Panel)
			1019	694852	Kit–Label (Used After Code Date 97082700).	1119	691183	Screw (Alternator)
						1172	691676	Screw (Fixed Speed Bracket)
						1210	498144	Pulley/Spring Assembly (Pulley)
						1211	498144	Pulley/Spring Assembly (Spring)
						1230	695709	Stud (Control Bracket)
						1305	691140	Screw (Oil Sensor Module)

★ Included in Engine Gasket Set–Ref. No.358.

● Included in Carburetor Overhaul Kit–Ref. No. 121.

◆ Included in Carburetor Gasket Set–Ref. No. 977.

∅ Included in Valve Gasket Set–Ref. No 1095.

Illustrations cover a range of engines. Parts shown without corresponding text may not be used on your specific engine.